



01941E00


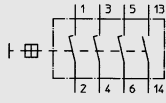
Safety switches ensure the obligatory isolation of electrical power under condition of equipment cleaning, maintenance and repair. Other methods of isolation, e.g. removal of fuses or disconnection of motors, which require qualified electricians are unnecessary.

Safety Switches Series 8537

- 3 and 6 pole switches
12 A / 16 A, 25 A, 40 A,
63 A / 80 A, 125 A / 160 A, 250 A,
315 A, 400 A, 500 A
- Explosion protection to
 - CENELEC
 - IEC
- For use in
 - Zone 1 and Zone 2
 - Zone 21 and Zone 22
- Motor switching capacity
AC 3 and AC 23 acc. to
IEC 60 947-3, EN 60 947,
DIN VDE 0660 part 107
- With or without up stream
contact
- Definite opening for main
contacts
- Isolating switches acc. to
DIN VDE 0660
- Can be padlocked in „OFF“
position
- Non-reversible switch with
defined switch position
- High level of corrosion resistance
in external components
- Marked with signal orange label
„Safety Switch“

Zones 1 & 2, 21 & 22

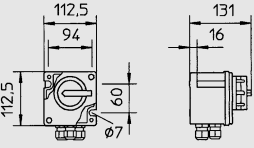
Selection table

Version	Schematic	Cable entries	Ordering code	Weight kg
12 A / 16 A, 3 poles  01703E00	 08787E00	2 x 8161/5-M25 1 x 8161/5-M20	8537/2-701-7000	0,962

Technical Data


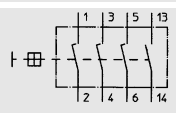

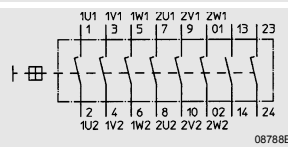
Explosion protection	Gas explosion protection: $\text{II 2 G EEx ed IIC T6}$ Dust explosion protection: $\text{II 2 D IP 65 T80 } ^\circ\text{C}$ (marking on typelabel optional possible)																													
Certificates	Gas explosion protection: PTB 02 ATEX 1033 Dust explosion protection: LCIE 02 ATEX 6241 (certificate Series 8146/5)																													
Other certificates	VNIEF (Russia)																													
Main contacts																														
Rated working voltage	690 V AC																													
Rated operating current	12 A / 16 A																													
Switching capacity	acc. to IEC 947-3; EN 60 947; DIN VDE 0660, part 107																													
	<table border="1"> <thead> <tr> <th rowspan="2">U_e</th> <th colspan="2">AC 3</th> <th colspan="2">AC 23</th> </tr> <tr> <th>I</th> <th>P</th> <th>I</th> <th>P</th> </tr> </thead> <tbody> <tr> <td>230 V ~</td> <td>16 A</td> <td>4.0 kW</td> <td>16 A</td> <td>4.0 kW</td> </tr> <tr> <td>400 V ~</td> <td>16 A</td> <td>7.5 kW</td> <td>16 A</td> <td>7.5 kW</td> </tr> <tr> <td>500 V ~</td> <td>16 A</td> <td>7.5 kW</td> <td>16 A</td> <td>7.5 kW</td> </tr> <tr> <td>690 V ~</td> <td>16 A</td> <td>11.0 kW</td> <td>16 A</td> <td>11.0 kW</td> </tr> </tbody> </table>	U _e	AC 3		AC 23		I	P	I	P	230 V ~	16 A	4.0 kW	16 A	4.0 kW	400 V ~	16 A	7.5 kW	16 A	7.5 kW	500 V ~	16 A	7.5 kW	16 A	7.5 kW	690 V ~	16 A	11.0 kW	16 A	11.0 kW
U _e	AC 3		AC 23																											
	I	P	I	P																										
230 V ~	16 A	4.0 kW	16 A	4.0 kW																										
400 V ~	16 A	7.5 kW	16 A	7.5 kW																										
500 V ~	16 A	7.5 kW	16 A	7.5 kW																										
690 V ~	16 A	11.0 kW	16 A	11.0 kW																										
Rated isolation voltage	750 V																													
Rated surge voltage resistance	6 kV																													
Life electrical / mechanical	> 10 ⁵ Operations																													
Max. back-up fuse	25 A (16 A bei I _e = 12 A, 690 V AC), tripping characteristic: gL / gG acc. to DIN VDE 0636, part 10																													
Terminals	2.5 / 4 mm ² flexible / solid																													
Auxiliary contacts																														
Switch	3 poles: 1 NO (ON delayed - OFF advanced)																													
Rated operating voltage	400 V AC																													
Rated operating current	6 A																													
Terminals	2.5 / 4 mm ² flexible / solid																													
Housing material	Polyester resin																													
Enclosure cover	in „ON“ position removable, in „OFF“ position interlocked																													
Switch handle	in 0-position 3-times padlockable, colour: handle black, protective collar black, special version: protective handle red, collar yellow																													
Degree of protection	IP 65																													
Operating temperature range	- 20 °C ... + 40 °C																													
Cable entries	standard: in polyamide Series 8161 special: in metal																													

Dimension drawings (all dimensions in mm) - subject to alterations



 04438E00
8537/2-701, 12 A / 16 A, 3 pole



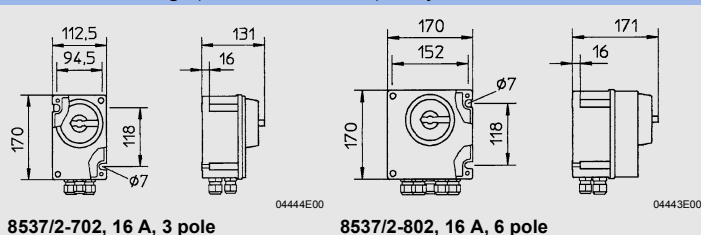
Selection table

Version	Schematic	Cable entries	Ordering code	Weight kg
16 A, 3 poles  01705E00	 08787E00	2 x 8161/5-M25 1 x 8161/5-M20	8537/2-702-7000	1,300
16 A, 6 poles  01201E00	 08788E00	4 x 8161/5-M25 1 x 8161/5-M20	8537/2-802-8000	2,300


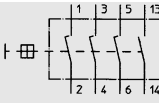

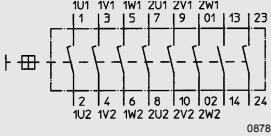
Technical Data

Explosion protection	Gas explosion protection:  II 2 G EEx ed IIC T6 Dust explosion protection:  II 2 D IP 65 T80 °C (marking on typelabel optional possible)																													
Certificates	Gas explosion protection: PTB 02 ATEX 1033 Dust explosion protection: LCIE 02 ATEX 6241 (certificate Series 8146/5)																													
Other certificates	VNIIEF (Russia)																													
Main contacts																														
Rated working voltage	690 V AC																													
Rated operating current	16 A																													
Switching capacity	acc. to IEC 947-3; EN 60 947; DIN VDE 0660, part 107																													
	<table border="1"> <thead> <tr> <th rowspan="2">U_e</th> <th colspan="2">AC 3</th> <th colspan="2">AC 23</th> </tr> <tr> <th>I</th> <th>P</th> <th>I</th> <th>P</th> </tr> </thead> <tbody> <tr> <td>230 V ~</td> <td>25 A</td> <td>5.5 kW</td> <td>25 A</td> <td>5.5 kW</td> </tr> <tr> <td>400 V ~</td> <td>25 A</td> <td>11.0 kW</td> <td>25 A</td> <td>11.0 kW</td> </tr> <tr> <td>500 V ~</td> <td>25 A</td> <td>15.0 kW</td> <td>25 A</td> <td>15.0 kW</td> </tr> <tr> <td>690 V ~</td> <td>25 A</td> <td>22.0 kW</td> <td>25 A</td> <td>22.0 kW</td> </tr> </tbody> </table>	U _e	AC 3		AC 23		I	P	I	P	230 V ~	25 A	5.5 kW	25 A	5.5 kW	400 V ~	25 A	11.0 kW	25 A	11.0 kW	500 V ~	25 A	15.0 kW	25 A	15.0 kW	690 V ~	25 A	22.0 kW	25 A	22.0 kW
U _e	AC 3		AC 23																											
	I	P	I	P																										
230 V ~	25 A	5.5 kW	25 A	5.5 kW																										
400 V ~	25 A	11.0 kW	25 A	11.0 kW																										
500 V ~	25 A	15.0 kW	25 A	15.0 kW																										
690 V ~	25 A	22.0 kW	25 A	22.0 kW																										
Rated isolation voltage	750 V																													
Rated surge voltage resistance	6 kV																													
Life electrical / mechanical	> 10 ⁵ Operations																													
Max. back-up fuse	50 A, tripping characteristic: gL / gG acc. to DIN VDE 0636, part 10																													
Terminals	4 / 6 mm ² flexible / solid																													
Auxiliary contacts																														
Switch	3 poles: 1 NO (ON delayed - OFF advanced) 6 poles: 2 NO (1 x ON delayed - OFF advanced / 1 x normal switched)																													
Rated operating voltage	500 V AC																													
Rated operating current	10 A																													
Terminals	4 / 6 mm ² flexible / solid																													
Housing material	Polyester resin																													
Enclosure cover	in „ON“ position removable, in „OFF“ position interlocked																													
Switch handle	in 0-position 3-times padlockable, colour: handle black, protective collar black, special version: protective handle red, collar yellow																													
Degree of protection	IP 65																													
Operating temperature range	- 20 °C ... + 40 °C																													
Cable entries	standard: in polyamide Series 8161 special: in metal																													

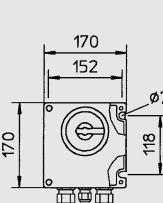
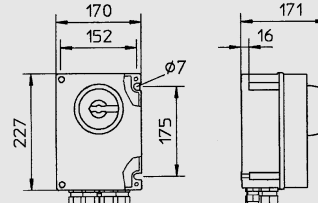
Dimension drawings (all dimensions in mm) - subject to alterations


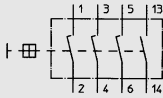

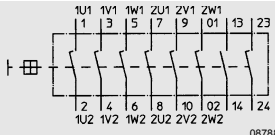




Selection table				
Version	Schematic	Cable entries	Ordering code	Weight kg
25 A, 3 poles  01201E00	 08787E00	2 x 8161/5-M32 1 x 8161/5-M20	8537/2-703-7000	1,844
25 A, 6 poles  01704E00	 08788E00	4 x 8161/5-M32 1 x 8161/5-M20	8537/2-803-8000	3,600

Technical Data																														
Explosion protection	Gas explosion protection: $\text{II 2 G EEx ed IIC T6}$ Dust explosion protection: $\text{II 2 D IP 65 T80 } ^\circ\text{C}$ (marking on typelabel optional possible)																													
Certificates	Gas explosion protection: PTB 02 ATEX 1033 Dust explosion protection: LCIE 02 ATEX 6241 (certificate Series 8146/5) Other certificates: VNIIEF (Russia)																													
Main contacts	Rated working voltage: 690 V AC Rated operating current: 25 A Switching capacity: acc. to IEC 947-3; EN 60 947; DIN VDE 0660, part 107																													
	<table border="1"> <thead> <tr> <th rowspan="2">U_e</th> <th colspan="2">AC 3</th> <th colspan="2">AC 23</th> </tr> <tr> <th>I</th> <th>P</th> <th>I</th> <th>P</th> </tr> </thead> <tbody> <tr> <td>230 V ~</td> <td>25 A</td> <td>5.5 kW</td> <td>25 A</td> <td>5.5 kW</td> </tr> <tr> <td>400 V ~</td> <td>25 A</td> <td>11.0 kW</td> <td>25 A</td> <td>11.0 kW</td> </tr> <tr> <td>500 V ~</td> <td>25 A</td> <td>15.0 kW</td> <td>25 A</td> <td>15.0 kW</td> </tr> <tr> <td>690 V ~</td> <td>25 A</td> <td>22.0 kW</td> <td>25 A</td> <td>22.0 kW</td> </tr> </tbody> </table>	U _e	AC 3		AC 23		I	P	I	P	230 V ~	25 A	5.5 kW	25 A	5.5 kW	400 V ~	25 A	11.0 kW	25 A	11.0 kW	500 V ~	25 A	15.0 kW	25 A	15.0 kW	690 V ~	25 A	22.0 kW	25 A	22.0 kW
U _e	AC 3		AC 23																											
	I	P	I	P																										
230 V ~	25 A	5.5 kW	25 A	5.5 kW																										
400 V ~	25 A	11.0 kW	25 A	11.0 kW																										
500 V ~	25 A	15.0 kW	25 A	15.0 kW																										
690 V ~	25 A	22.0 kW	25 A	22.0 kW																										
Rated isolation voltage	750 V																													
Rated surge voltage resistance	6 kV																													
Life electrical / mechanical	> 10 ⁵ Operations																													
Max. back-up fuse	50 A, tripping characteristic: gL / gG acc. to DIN VDE 0636, part 10																													
Terminals	6 / 10 mm ² flexible / solid																													
Auxiliary contacts																														
Switch	3 poles: 1 NO (ON delayed - OFF advanced) 6 poles: 2 NO (1 x ON delayed - OFF advanced / 1 x normal switched)																													
Rated operating voltage	500 V AC																													
Rated operating current	10 A																													
Terminals	4 / 6 mm ² flexible / solid																													
Housing material	Polyester resin																													
Enclosure cover	in „ON“ position removable, in „OFF“ position interlocked																													
Switch handle	in 0-position 3-times padlockable, colour: handle black, protective collar black, special version: protective handle red, collar yellow																													
Degree of protection	IP 65																													
Operating temperature range	- 20 °C ... + 40 °C																													
Cable entries	standard: in polyamide Series 8161 special: in metal																													

Dimension drawings (all dimensions in mm) - subject to alterations	
 04442E00 8537/2-703, 25 A, 3 pole	 04441E00 8537/2-803, 25 A, 6 pole

Selection table				
Version	Schematic	Cable entries	Ordering code	Weight kg
40 A, 3 poles  01202E00	 08787E00	2 x 8161/5-M40 1 x 8161/5-M20	8537/2-705-7000	3,500
40 A, 6 poles  01203E00	 08788E00	4 x 8161/5-M40 1 x 8161/5-M20	8537/2-805-8000	6,400

Technical Data

Explosion protection

Gas explosion protection

⊕ II 2 G EEx ed IIC T6

Dust explosion protection

⊕ II 2 D IP 65 T80 °C
(marking on typelabel optional possible)

Certificates

Gas explosion protection

PTB 02 ATEX 1033

Dust explosion protection

LCIE 02 ATEX 6241 (certificate Series 8146/5)

Other certificates

VNIIEF (Russia)

Main contacts

Rated working voltage

690 V AC

Rated operating current

40 A

Switching capacity

acc. to IEC 947-3; EN 60 947; DIN VDE 0660, part 107

U _e	AC 3		AC 23	
	I	P	I	P
230 V ~	40 A	11.0 kW	40 A	11.0 kW
400 V ~	40 A	22.0 kW	40 A	22.0 kW
500 V ~	40 A	30.0 kW	40 A	30.0 kW
690 V ~	40 A	37.0 kW	40 A	37.0 kW

Rated isolation voltage

750 V

Rated surge voltage resistance

6 kV

Life electrical / mechanical

> 10⁵ Operations

Max. back-up fuse

80 A, tripping characteristic: gL / gG acc. to DIN VDE 0636, part 10

Terminals

16 mm² flexible solid
25 mm² stranded

Auxiliary contacts

Switch

3 poles: 1 NO (ON delayed - OFF advanced)
6 poles: 2 NO (1 x ON delayed - OFF advanced / 1 x normal switched)

Rated operating voltage

500 V AC

Rated operating current

10 A

Terminals

4 mm² flexible / solid

Housing material

Polyester resin

Enclosure cover

in „ON“ position removable, in „OFF“ position interlocked

Switch handle

in 0-position 3-times padlockable,
colour: handle black, protective collar black, special version: protective handle red,
collar yellow

Degree of protection

IP 65

Operating temperature range

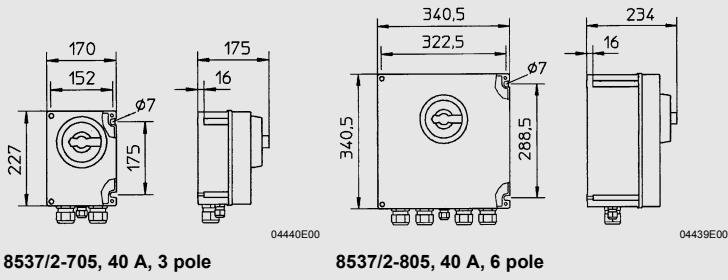
- 20 °C ... + 40 °C

Cable entries


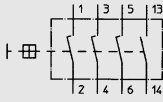

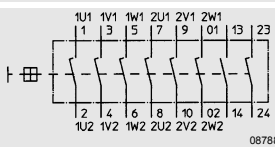
standard: in polyamide Series 8161
special: in metal

STAHL

Dimension drawings (all dimensions in mm) - subject to alterations





Selection table

Version	Schematic	Cable entries	Ordering code	Weight kg
63 A / 80 A, 3 poles  01200E00	 08787E00	2 x 8161/5-M50 1 x 8161/5-M20	8537/2-706-7000	5,769
63 A / 80 A, 6 poles  01204E00	 08788E00	2 x 8161/5-M50 2 x 8161/5-M40 1 x 8161/5-M20	8537/2-806-8000	10,100

Technical Data

Explosion protection

- Gas explosion protection
- Dust explosion protection

 II 2 G EEx ed IIC T6
 II 2 D IP 65 T80 °C
 (marking on typelabel optional possible)

Certificates

- Gas explosion protection
- Dust explosion protection

PTB 02 ATEX 1033
 LCIE 02 ATEX 6241 (certificate Series 8146/5)

Other certificates

VNIIEF (Russia)

Main contacts

- Rated working voltage
- Rated operating current
- Switching capacity

500 V AC (80 A) / 690 V AC (63 A)
 63 A / 80 A
 acc. to IEC 947-3; EN 60 947; DIN VDE 0660, part 107

U _e	AC 3		AC 23	
	I	P	I	P
230 V ~	80 A	22.0 kW	80 A	22.0 kW
400 V ~	80 A	37.0 kW	80 A	37.0 kW
500 V ~	80 A	55.0 kW	80 A	55.0 kW
690 V ~	63 A	55.0 kW	63 A	55.0 kW

- Rated isolation voltage
- Rated surge voltage resistance
- Life electrical / mechanical
- Max. back-up fuse

750 V
 6 kV
 > 10⁵ Operations
 63 A: 100 A, tripping characteristic: gL / gG acc. to DIN VDE 0636, part 10
 80 A: 125 A, tripping characteristic: gL / gG acc. to DIN VDE 0636, part 10

Terminals

35 mm² flexible / solid

Auxiliary contacts

- Switch
- Rated operating voltage
- Rated operating current
- Terminals

3 poles: 1 NO (ON delayed - OFF advanced)
 6 poles: 2 NO (1 x ON delayed - OFF advanced / 1 x normal switched)
 500 V AC
 10 A
 4 mm² flexible / solid

Housing material

Polyester resin

Enclosure cover

in „ON“ position removable, in „OFF“ position interlocked

Switch handle

in 0-position 3-times padlockable, colour: handle black, protective collar black, special version: protective handle red, collar yellow

Degree of protection

IP 65

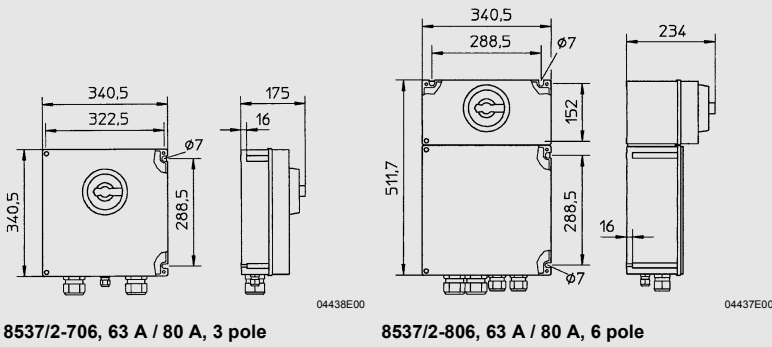
Operating temperature range

- 20 °C ... + 40 °C


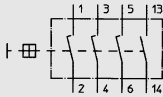

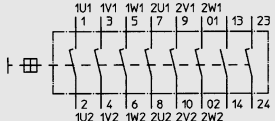
Cable entries

standard: in polyamide Series 8161
 special: in metal

Dimension drawings (all dimensions in mm) - subject to alterations



Safety Switches Series 8537 125 A / 160 A

Selection table				
Version	Schematic	Cable entries	Ordering code	Weight kg
125 A / 160 A, 3 poles  01390E00	 08787E00	1 x flange plate for 2 cables \varnothing 13 mm ... 60 mm 1 x 8161/5-M20	8537/2-709-7000	27,000
125 A / 160 A, 6 poles  01389E00	 08788E00	2 x flange plates for 2 cables \varnothing 13 mm ... 60 mm 1 x 8161/5-M20		

Technical Data

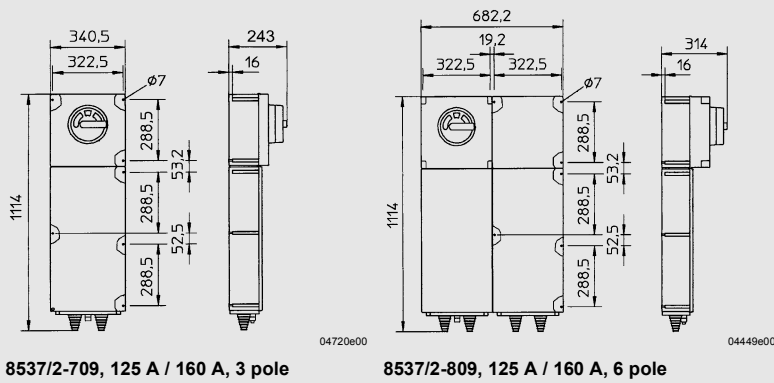
Explosion protection Gas explosion protection Dust explosion protection	II 2 G EEx ed IIC T6 or T5 II 3 D IP 55 T80 °C resp. T95 °C (marking on typelabel optional possible) II 2 D IP 66 T80 °C resp. T95 °C * * Sonder: IP 66 switches as special version; state with order „switch for use in Zone 21“																													
Certificates Gas explosion protection Dust explosion protection	PTB 02 ATEX 1033 LCIE 02 ATEX 6241 (certificate Series 8146/5)																													
Other certificates VNIIEF (Russia)																														
Main contacts Rated working voltage Rated operating current Switching capacity	500 V AC (160 A) / 690 V AC (125 A) 125 A / 160 A acc. to IEC 947-3; EN 60 947; DIN VDE 0660, part 107																													
	<table border="1"> <thead> <tr> <th rowspan="2">U_e</th> <th colspan="2">AC 3</th> <th colspan="2">AC 23</th> </tr> <tr> <th>I</th> <th>P</th> <th>I</th> <th>P</th> </tr> </thead> <tbody> <tr> <td>230 V ~</td> <td>125 A</td> <td>37.0 kW</td> <td>160 A</td> <td>45.0 kW</td> </tr> <tr> <td>400 V ~</td> <td>125 A</td> <td>55.0 kW</td> <td>160 A</td> <td>75.0 kW</td> </tr> <tr> <td>500 V ~</td> <td>100 A</td> <td>75.0 kW</td> <td>160 A</td> <td>110.0 kW</td> </tr> <tr> <td>690 V ~</td> <td>80 A</td> <td>90.0 kW</td> <td>125 A</td> <td>110.0 kW</td> </tr> </tbody> </table>	U _e	AC 3		AC 23		I	P	I	P	230 V ~	125 A	37.0 kW	160 A	45.0 kW	400 V ~	125 A	55.0 kW	160 A	75.0 kW	500 V ~	100 A	75.0 kW	160 A	110.0 kW	690 V ~	80 A	90.0 kW	125 A	110.0 kW
U _e	AC 3		AC 23																											
	I	P	I	P																										
230 V ~	125 A	37.0 kW	160 A	45.0 kW																										
400 V ~	125 A	55.0 kW	160 A	75.0 kW																										
500 V ~	100 A	75.0 kW	160 A	110.0 kW																										
690 V ~	80 A	90.0 kW	125 A	110.0 kW																										
Rated isolation voltage Rated surge voltage resistance Life electrical / mechanical Max. back-up fuse Terminals	750 V 6 kV > 10 ⁵ Operations 160 A, tripping characteristic: gL / gG acc. to DIN VDE 0636, part 10 95 mm ² flexible / solid 120 mm ² stranded																													

Technical Data


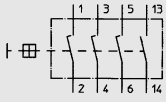

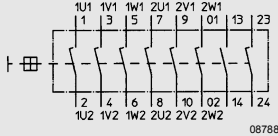
Auxiliary contacts

Switch	3 poles: 1 NO (ON delayed - OFF advanced) 6 poles: 2 NO (1 x ON delayed - OFF advanced / 1 x normal switched)
Rated operating voltage	500 V AC
Rated operating current	10 A
Terminals	4 mm ² flexible / solid
Housing material	Polyester resin
Enclosure cover	in „ON“ position removable, in „OFF“ position interlocked
Switch handle	in 0-position 3-times padlockable, colour: handle black, protective collar black, special version: protective handle red, collar yellow
Degree of protection	IP 55
Operating temperature range	- 20 °C ... + 40 °C

Dimension drawings (all dimensions in mm) - subject to alterations



Safety Switches Series 8537 250 A

Selection table				
Version	Schematic	Cable entries	Ordering code	Weight kg
250 A, 3 poles  01683E00	 08787E00	2 x 8160/11-M63 1 x 8161/5-M20	8537/7-712-7000	55,000
250 A, 6 poles  01871E00	 08788E00	Cable glands 2 x cable diving boxes, each with 2 entries		
Further versions (160 A, 315 A, 400 A, 500 A) upon request.				

Technical Data

Explosion protection

- Gas explosion protection
- Dust explosion protection

- ⊕ II 2 G EEx de IIC T6 or T5
- ⊕ II 2 D IP 66 T80 °C resp. T95 °C (on request)
(marking on typelabel optional possible)

Certificates

- Gas explosion protection
- Dust explosion protection

PTB 02 ATEX 1109 (certificate Series 8220/50)
 PTB 02 ATEX 1109
 VNIIEF (Russia)

Other certificates

Main contacts

- Rated working voltage
- Rated operating current
- Switching capacity

690 V AC
 250 A
 acc. to IEC 947-3; EN 60 947; DIN VDE 0660, part 107
 AC 23

U _e	P (3-pole)	P (6-pole)
230 V ~	75.0 kW	75.0kW
400 V ~	132.0 kW	132.0 kW
500 V ~	160.0 kW	132.0 kW
690 V ~	200.0 kW	37.0 kW

- Rated isolation voltage
- Rated surge voltage resistance
- Life electrical / mechanical

750 V
 6 kV
 3 x 10⁴ / > 10⁵
 max. operating cycles s / h 50

- Max. back-up fuse
- Terminals

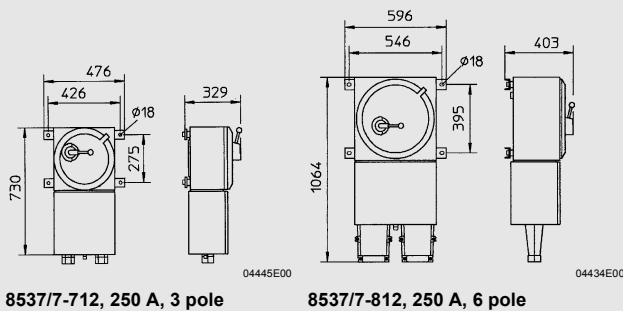
315 A, tripping characteristic: gL acc. to DIN VDE 0636, part 10
 120 mm² stranded

Technical Data

Auxiliary contacts

Switch	3 poles: 1 NO (ON delayed - OFF advanced) 6 poles: 2 NO (1 x ON delayed - OFF advanced / 1 x normal switched)
Rated operating voltage	500 V AC
Rated operating current	6 A
Terminals	4 mm ² flexible
Housing material	Ex d enclosure: sheet steel; cover die-cast alloy Ex e enclosure: sheet steel, galvanized Colour: primer coat (2 component paint) Top coat: stove enamel, textured finish, grey
Enclosure cover	in „ON“ position removable, in „OFF“ position interlocked
Switch handle	in 0-position 3-times padlockable, colour: handle black, protective collar black, special version: protective handle red, collar yellow
Degree of protection	IP 55
Operating temperature range	- 20 °C ... + 40 °C

Dimension drawings (all dimensions in mm) - subject to alterations



We reserve the right to make alterations to the technical data, weights, dimensions, designs and products available without notice. The illustrations cannot be considered binding.

