



01616E00

Position Switches Series 8060

- Explosion protection to
 - CENELEC
 - IEC
- For use in
 - Zone 1 and Zone 2
 - Zone 21 and Zone 22
- Enclosures have protection class "increased safety"
- Dimensions and functional measurements to EN 50047
- Replaceable contact elements in flameproof enclosure
- Positive opening contacts
- Category 1 safety position switch with:
 - extended plunger
 - roller lever plunger
 - roller lever
 - adjustable roller lever plunger
 - angled roller lever plunger
 - actuating rod
- All attachments can be displaced through 4 x 90°
- Contact elements with snapaction contact, with slow-action contact or overlapping slow-action contact
- Design also possible with cable already attached

STAHL

Position switches are used to monitor the position of moving parts of machines and plant.









Can be used in safety circuits, as the device satisfies EN 60 947-5-1/DIN VDE 0660 part 200, and the opening contacts are positive opening. The position switch Series 8060 with positive opening contacts has been tested to the professional association test standard GS-ET 15 of the German Employer Liability Insurance Association, and is thus licensed for personnel protection functions.

Category 1 Safety position switches have contact and actuating element in a single constructional and functional unit.

Because of the galvanic isolation of the moving contacts, the position switch is suitable for switching various potentials.

Zones 1 & 2, 21 & 22



Selection table				
Version	Actuator		Ordering code	Weight kg
 09386E00	Extended plunger	Plunger of moulded plastic	8060/1-.-S	0,069
 09387E00	Roller plunger	Roller of moulded plastic	8060/1-.-RS	0,073
 09388E00	Roller lever, Form E	Roller of moulded plastic	8060/1-.-AR	0,074
 09389E00	Roller lever, Form A	Roller of moulded plastic	8060/1-.-R	0,085
 09390E00	Adjustable roller lever	Roller of moulded plastic Roller rod of stainless steel	8060/1-.-V	0,104
 09391E00	Actuating rod	Rod of moulded plastic No positively opening operation, not suitable for safety circuits!	8060/1-.-H	0,097
 09392E00	Spring-rod actuator	Spring of stainless steel Only for use with snap-action contact! No positively opening operation, not suitable for safety circuits!	8060/1-2-F	0,085
 09393E00	Angled roller lever	Roller of moulded plastic	8060/1-.-WR	0,074
Add. to ordering code				
Switching function	1 NC + 1 NO	Slow-action contact	8060/1-1-...	
	1 NC + 1 NO	Snap-action contact	8060/1-2-...	
	2 NC	Slow-action contact	8060/1-3-...	
	2 NO	Slow-action contact	8060/1-4-...	
	1 NC + 1 NO	Slow-action contact, overlapping	8060/1-5-...	
			Design with cable	8060/1-.-...-K
Note	Actuating heads enclosed are not mounted			

Technical Data

Explosion protection

- Gas explosion protection II 2 G EEx ed IIC T6
- Dust explosion protection II 2 D IP65 T80 °C

Certificates

- Gas explosion protection PTB 01 ATEX 1052
- Dust explosion protection LCIE 03 ATEX 6307

Rated operational voltage U_e

8060/1-1	8060/1-3
8060/1-2	8060/1-4
8060/1-5	

Alternating current for equal potential:	max. 500 V	max. 400 V
Alternating current for unequal potential:	max. 250 V	max. 250 V
Direct current:	250 V	250 V

Rated working current I_e

max. 10 A

Switching capacity

AC 12		AC 15		DC 12
8060/1-1	8060/1-3	8060/1-1	8060/1-3	8060/1-.
8060/1-2	8060/1-4	8060/1-2	8060/1-4	
8060/1-5		8060/1-5		
max. 250 V	max. 250 V	max. 250 V	max. 250 V	max. 125 V
max. 500 V **)	max. 400 V **)	max. 500 V **)	max. 400 V **)	max. 10 A
max. 10 A	max. 10 A	max. 10 A	max. 10 A	max. 400 W
max. 5000 VA	max. 4000 VA	max. 1000 VA	max. 1000 VA	

***) only at the same potential

Rated isolation voltage

550 V

Rated impulse withstand voltage

6 kV

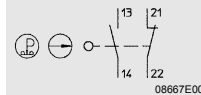
Back-up fuse

10 A gL / gG

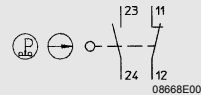
Contact block

Version

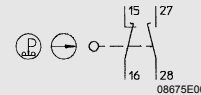
Slow-action contact Snap-action contact Slow-action contact, overlapping



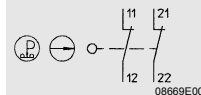
8060/1-1



8060/1-2

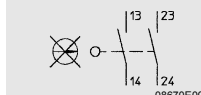


8060/1-5



8060/1-3

Attention:
Functions positive opening and operator safety depend on actuating head used



8060/1-4

Contact arrangement

2-pole, galvanically isolated, with double break action

Clearance between open contacts

≥ 1,5 mm (Clearance distance ≥ 3 mm)

Contacts

Silver-Nickel

Life

- mechanical
- electrical

max. 10⁶ Operations
max. 10⁶ Operations

Enclosure contact block

Polyamide, glass fibre-reinforced

Ambient temperature

- 20 °C ... + 70 °C (6 A)

Degree of protection

IP 65

Enclosure

Polyamide, glass fibre-reinforced; black

Cable glands

Cable entry 8161, M 20 x 1,5

Connection

With cable entry 8161: For sheathed cable 4 x 2,5 mm², Ø 6 - 13 mm; recommended 4 x 1,5 mm²

With mounted cable: Sheathed cable HK-SO-X05VV-F-OZ 4 x 1,5 mm², cable length 6 m

Terminals





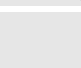
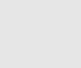


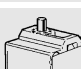
1 x 2,5 mm² (solid) or 2 x 1 mm² (flexible)

Mechanical shock resistance

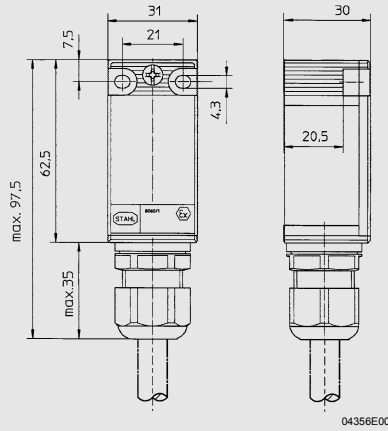
Snap-action contact: 2 g
Slow-action contact: 20 g





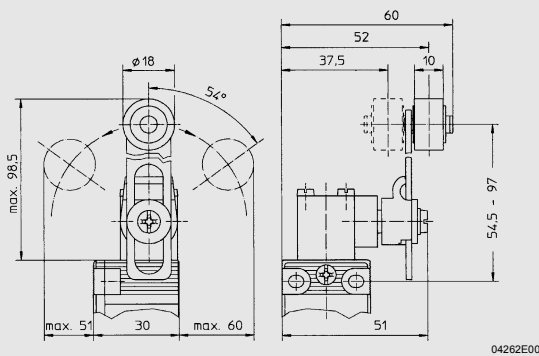
Accessories and spare parts						
Designation	Illustration			Ordering code	Weight kg	
Actuating head	 05662E00	Extended plunger	8060/1- . -S	8060001170	0,016	
	 05663E00	Roller plunger	8060/1- . -RS	8060002170	0,019	
	 05664E00	Roller lever, Form E	8060/1- . -AR	8060003170	0,020	
	 05665E00	Roller lever, Form A	8060/1- . -R	8060004170	0,034	
	 05666E00	Adjustable roller lever	8060/1- . -V	8060005170	0,052	
	 05667E00	Actuating rod	8060/1- . -H	8060006170	0,045	
	 05668E00	Spring-rod actuator Only for use with snap-action contact!	8060/1- 2 -F	8060007170	0,034	
	 05669E00	Angled roller lever	8060/1- . -WR	8060008170	0,021	
Contact block	 10909E00	1 NC + 1 NO Slow-action contact	8060/1-1	8080010600	0,025	
		1 NC + 1 NO Snap-action contact	8060/1-2	8080011600	0,025	
		1 NC + 1 NO Snap-action contact	8060/1-2	8080012600	0,025	
		2 NC Slow-action contact	8060/1-3	8080013600	0,025	
		2 NO Slow-action contact	8060/1-4	8080014600	0,025	
		1 NC + 1 NO Slow-action contact, overlapping	8060/1-5	8080015600	0,025	

Dimension drawings (all dimensions in mm) - subject to alterations



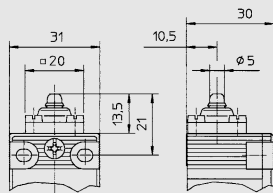
8060/1- . -OV
Position switch without actuating head

04356E00



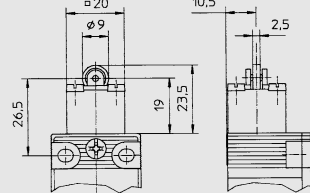
8060/1- . -V
Adjustable roller lever

04262E00



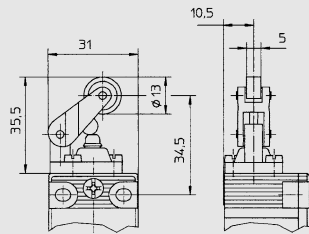
8060/1- . -S
Extended plunger

04258E00



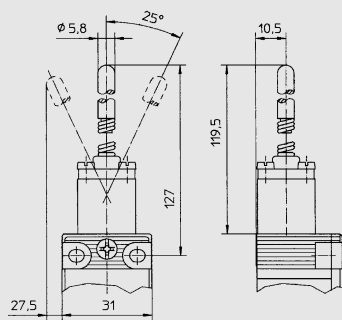
8060/1- . -RS
Roller plunger

04259E00



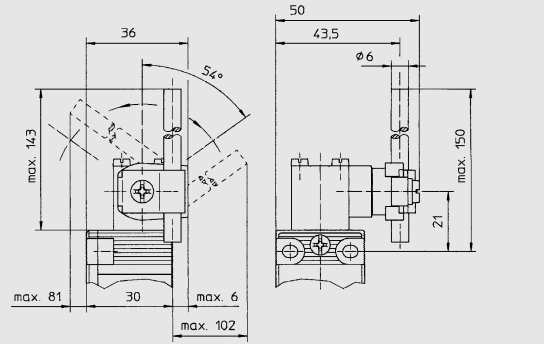
8060/1- . -AR
Roller lever, Form E

04260E00



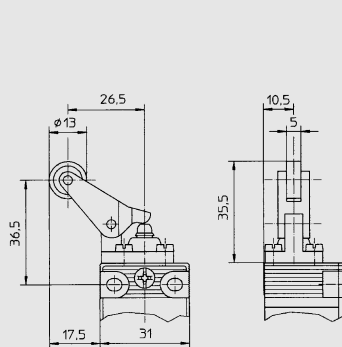
8060/1- 2 -F
Spring-rod lever

04264E00



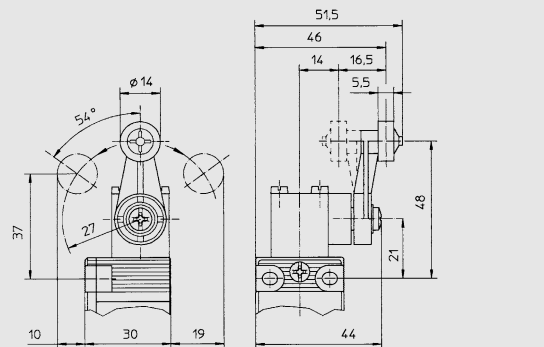
8060/1- . -H
Actuating rod

04263E00



8060/1- . -WR
Angled roller lever

04265E00



8060/1- . -R
Roller lever, Form A

04261E00

We reserve the right to make alterations to the technical data, weights, dimensions, designs and products available without notice. The illustrations cannot be considered binding.