

Lighting and Heating Panel CUBEx Series 8264/5-ExV

- Explosion protection to
 - ATEX
 - IEC
- Can be used in
 - Zone 1 and Zone 2
 - Zone 21 and Zone 22
- Enclosures with EEx d protection
- Available versions:
 - with MCB, characteristics C
 - with MCB / ELCB, characteristics B resp. C
- Advantage
 - Short delivery time

STAHL

The mains connection switch of the lighting and heating panels CUBEx Series 8264/5-ExV is operated through the side wall via an actuation mechanism. The circuit breakers are fitted on the second mounting level and are actuated via rotary drives. As an option it is possible to fit test keys to the ELCBs to make it possible to actuate them without opening the cover. Four drill holes are provided for in the back wall of the enclosure for fixing the devices. Delivery of a wall fastening rail is optionally possible. Cable entry is done directly via tapped holes, wired directly to the switches. For current distribution the original comb type rails are used at the switching units. A typical design allows for 12 or 24 circuit breakers. Different designs upon request.

Zones 1 & 2, 21 & 22

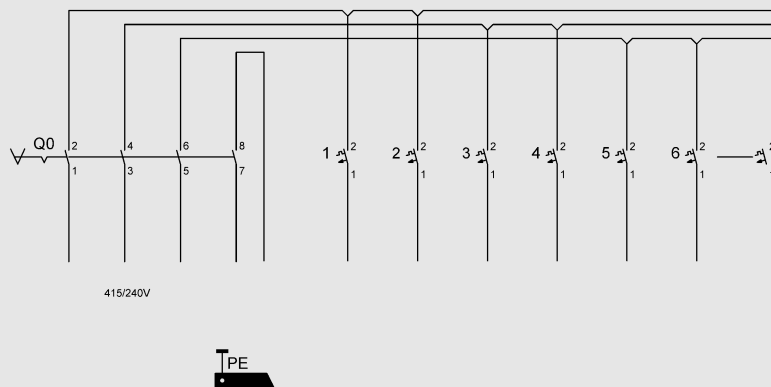
Technical Data

Explosion protection	
Gas explosion protection	II 2 G EEx d IIB T6 (others on request)
Dust explosion protection	II 2 D IP66 T80 °C
Certificates	
Gas explosion protection	KEMA 01 ATEX 2145
Dust explosion protection	KEMA 01 ATEX 2145
Rated voltage	415 V / 240 V, AC
Rated current	100 A
Ambient temperature	- 20 °C ... + 40 °C
Degree of protection	IP 66 (EN 60 529)
Housing	Aluminium (AISI 7Mg) (saltwater-proof according to EN 13890) or stainless steel (S5316L)
Note	Further rated currents 6 A, 10 A, 20 A

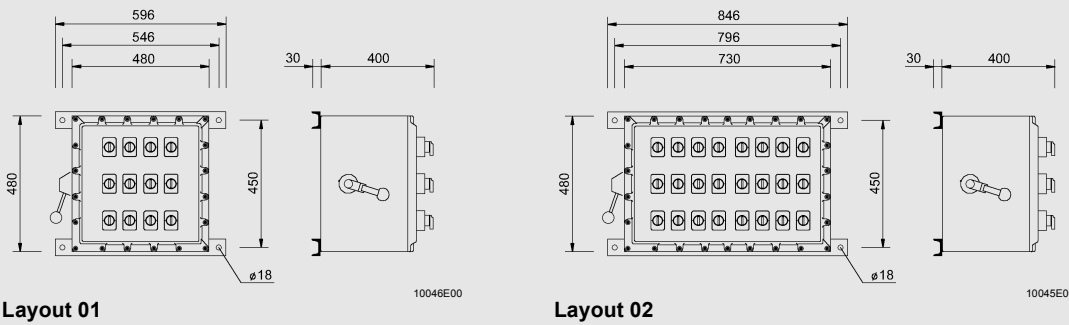
Selection table

Version	Quantity	Characteristics	Layout No.	Cable entries	Ordering code
MCB 1-pole 16 A	12	C	01	1 x M 50, 12 x M 20	8264/5-ExV-01-12L16C1P-D
	24	C	02	1 x M 50, 24 x M 20	8264/5-ExV-02-24L16C1P-D

Schematic



Dimension drawings (all dimensions in mm) - subject to alterations



Technical Data

Explosion protection	
Gas explosion protection	⊕ II 2 G EEx d IIB T6 (others on request)
Dust explosion protection	⊕ II 2 D IP66 T80 °C
Certificates	
Gas explosion protection	KEMA 01 ATEX 2145
Dust explosion protection	KEMA 01 ATEX 2145
Rated voltage	415 V / 240 V, AC
Rated current	100 A
Ambient temperature	- 20 °C ... + 40 °C
Degree of protection	IP 66 (EN 60 529)
Housing	Aluminium (AlSi 7Mg) (saltwater-proof according to EN 13890) or stainless steel (S5316L)
Note	Further rated currents 6 A, 10 A, 20 A, 25 A, 40 A

Selection table

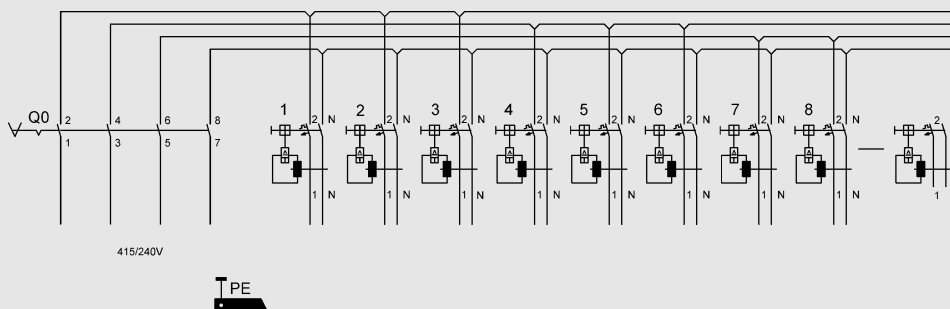
Version	Quantity	Characteristics	Layout No.	Cable entries	Ordering code
MCB / ELCB 1-pole + N 16 A / 30 mA	12	B	01	1 x M 50, 12 x M 20	8264/5-ExV-01-12H16B1N-D
	24	B	02	1 x M 50, 24 x M 20	8264/5-ExV-02-24H16B1N-D
	12	C	01	1 x M 50, 12 x M 20	8264/5-ExV-01-12H16C1N-D
	24	C	02	1 x M 50, 24 x M 20	8264/5-ExV-02-24H16C1N-D

Option: Actuation of test keys from the outside
Option: Looping through of error signal contacts to terminals

Further mains current values or different designs upon request:
Circuit breaker on main switch up to 160 A
Circuit breaker or earth leakage circuit breaker 1 - 4 pole, 0.5 - 63 A
Rated fault current 30 mA, 300 mA

STAHL

Schematic



Dimension drawings (all dimensions in mm) - subject to alterations

